



- Public & Semi-public
- Single-lever
- Wall mounted
- Matt black
- Fixed spout
- Hidden aerator
- Single operating lever/handle
- Ceramic head part for flow control
- One inlet for cold or premixed water
- Inner body made of DZR brass

Technical data

Flow properties

Flow-rate at 3 bar	6.0 l/min
Pressure loss with flow (0.1 l/s)	3 bar

Technical properties

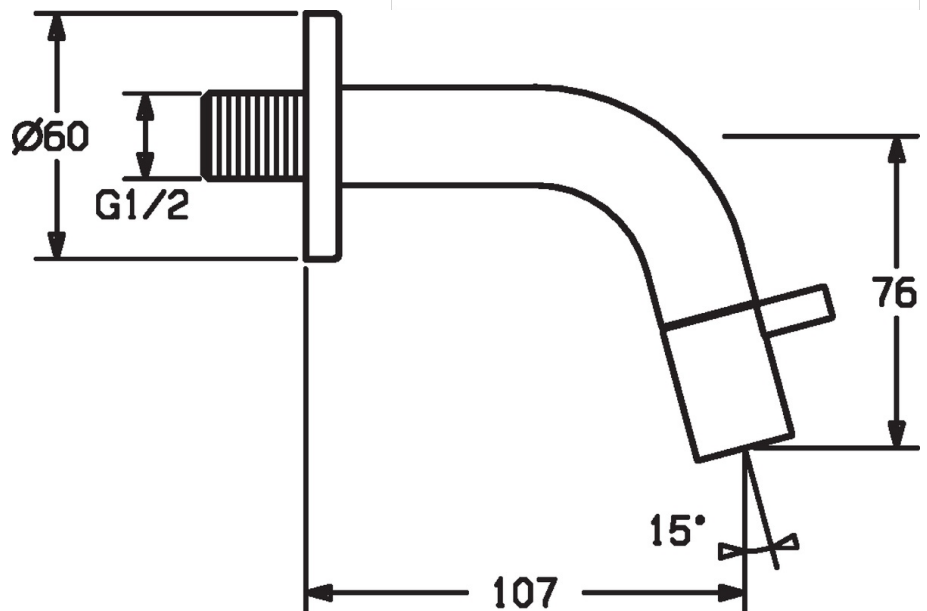
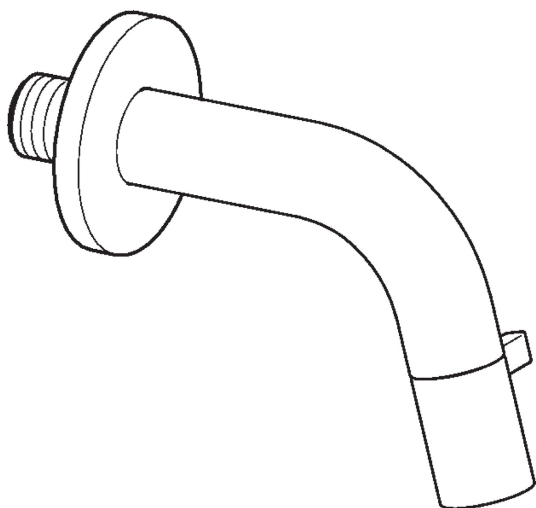
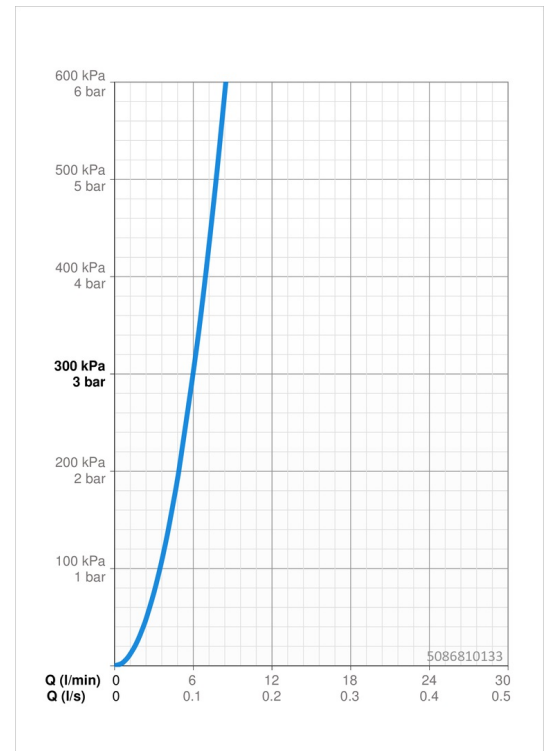
DN-size (nominal dimension)	DN15
Hot water supply	max. +80°C
Working pressure	0.5-10 bar
Connection size	G1/2
Projection	107 mm
Material	Brass

Regulations

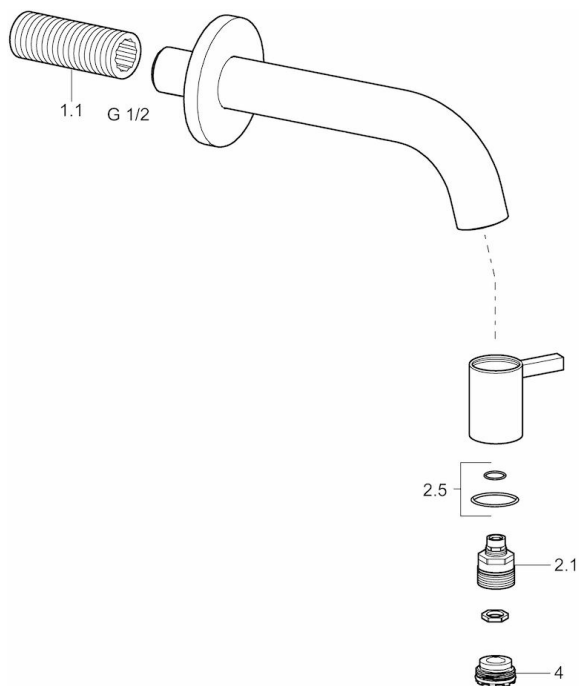
EN standard	EN 817
-------------	---------------

Approvals and Declarations

KIWA	K100538/01
------	-------------------



Spare parts



SP5086810133

	Name	Code
1.1	Nipple	59905534
2.1	Headpart	59913323
2.5	O-ring kit	59913320
4	Aerator, M21.5x1, JR Z, (-2014)	59913318
4.1	Key for aerator, M21.5x1	59913133