



- Public & Semi-public
- Single-lever
- Wall mounted
- Chrome
- Fixed spout
- Hidden aerator
- Single operating lever/handle
- Ceramic head part for flow control
- One inlet for cold or premixed water
- Inner body made of DZR brass

Technical data

Flow properties

Flow-rate at 3 bar **6.0 l/min**

Technical properties

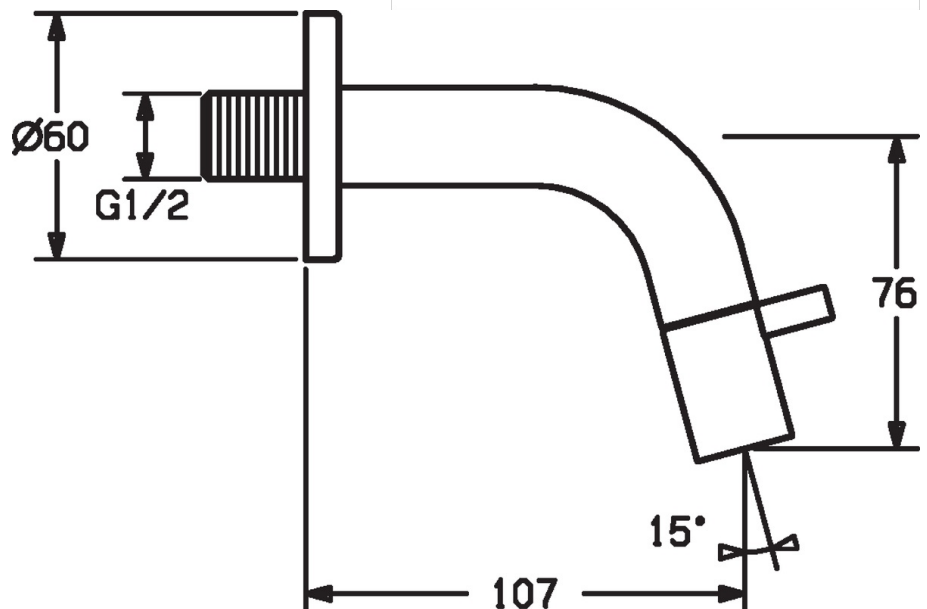
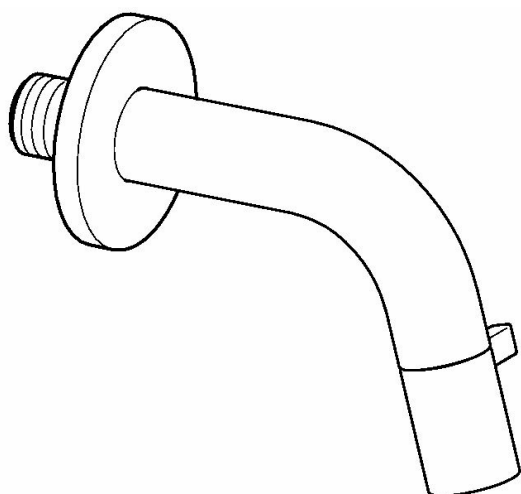
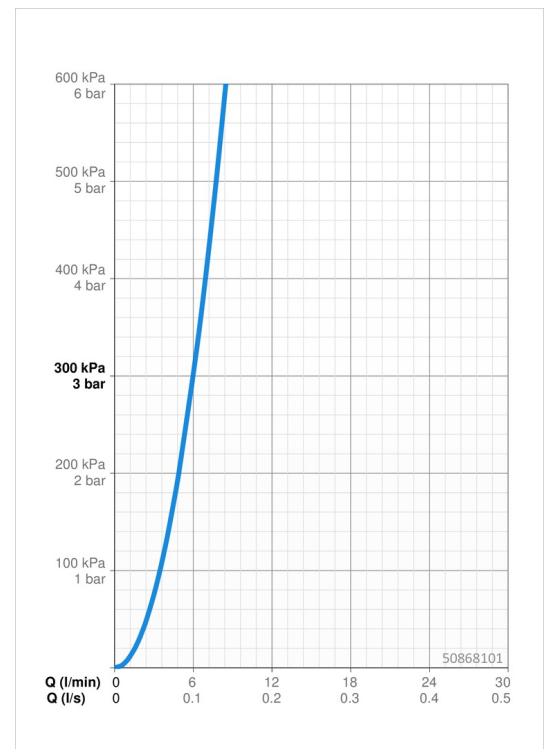
DN-size (nominal dimension) **DN15**
 Hot water supply **max. +80°C**
 Working pressure **0.5-10 bar**
 Connection size **G1/2**
 Projection **107 mm**
 Material **Brass**

Regulations

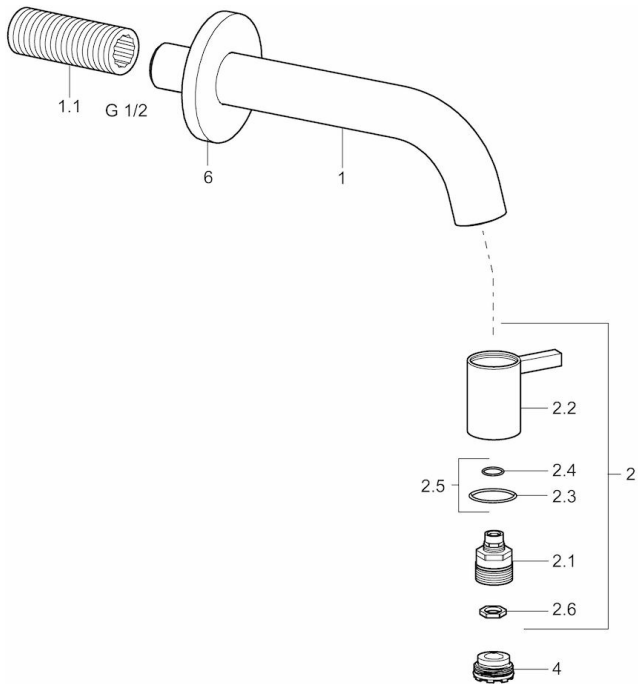
EN standard **EN 817**

Approvals and Declarations

KIWA **K100538/01**



Spare parts



SP50868101

	Name	Code
1.1	Nipple	59905534
2	Headpart	59913321
2.1	Headpart	59913323
2.2	Lever	59913322
2.5	O-ring kit	59913320
4	Aerator, M21.5x1, JR Z, (-2014)	59913318
4.1	Key for aerator, M21.5x1	59913133
6	Cover flange	59913319
N.I.	Aerator, M21.5x1	59913598